

203 EAST ADRIAN STREET  
 P.O. BOX 68  
 BLISSFIELD, MICHIGAN 49228-0068

PHONE; NO. (517) 486-2113  
 FAX NO. (517) 486-2444

CATALOG NO. 101030

USERS PRICE LIST

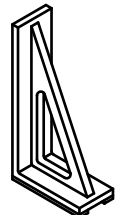
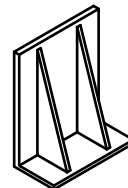
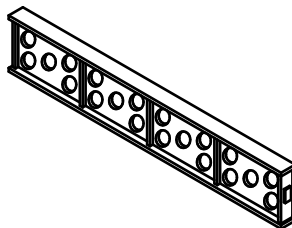
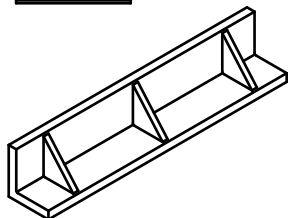
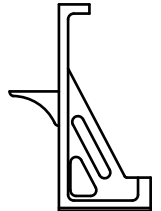
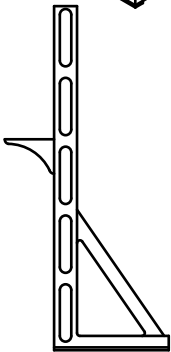
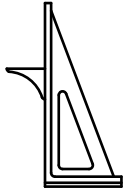
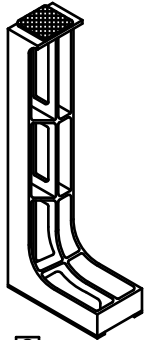
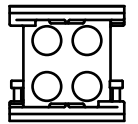
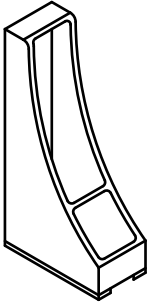
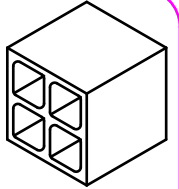
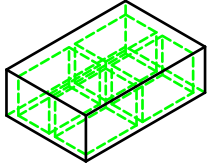
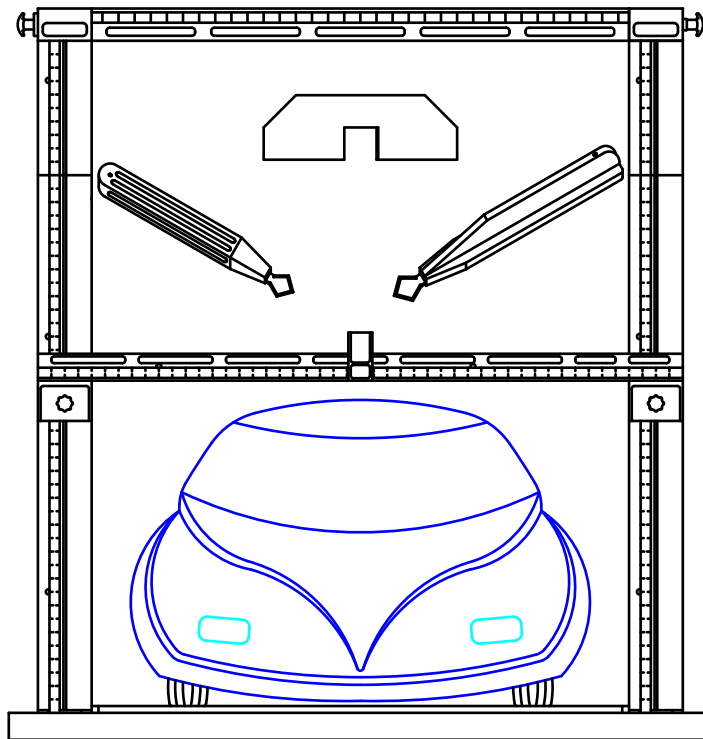
Effective March 1, 2001

PRICES SUBJECT TO CHANGE WITHOUT NOTICE

~F.O.B. - BLISSFIELD, MICHIGAN, U.S.A.

ISO 9001 CERTIFIED

Certification Date: 02/15/01  
 Expiration Date: 12/15/03  
 Certification No. C01-0595



" Surface Plate & Styling Platform Services "

Deliver

Set-Up

Level

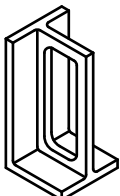
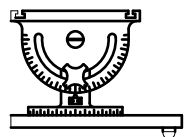
Anchor

Certify

~(NO RIGGING PROVIDED)~

LARGE SURFACE PLATES & ANGLE PLATES  
 RISER BLOCKS...STRAIGHT EDGES...PARALLELS...BOX CUBES...MOUSE SCRIBERS

FOR TOOLING...STYLING...MODEL and PATTERN SHOPS



# NORTON EQUIPMENT CORPORATION

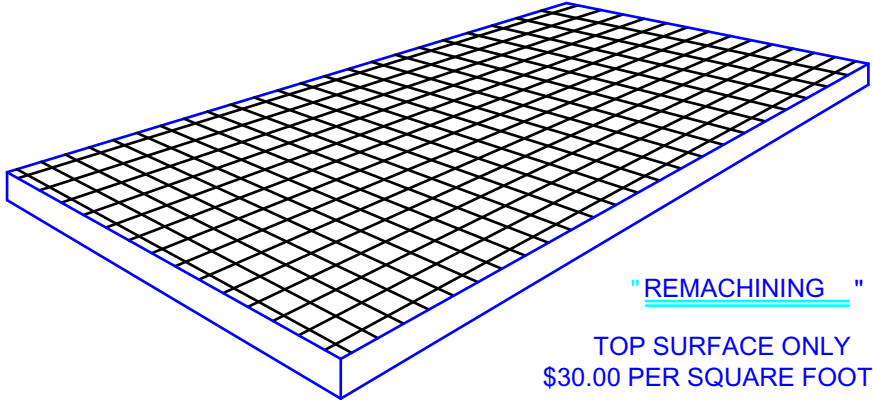
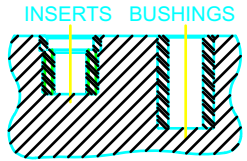
## NORTON SURFACE PLATE - LAYOUT PLATE - BEDPLATE

Custom Designed:  
Machining Capacity:  
Larger Assemblies:  
Surface Finish:  
Flatness Tolerance:

To Customers Specifications  
"CNC" To 14 Ft x 45 Ft  
Keyed & Bolted Together  
125 Planer or Mill  
0.001"/10 Ft.

Prices: Upon Request

### OPTIONS:



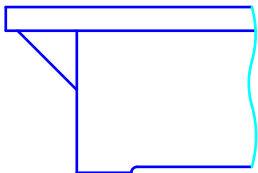
"REMACHINING "

TOP SURFACE ONLY  
 \$30.00 PER SQUARE FOOT



### STYLES

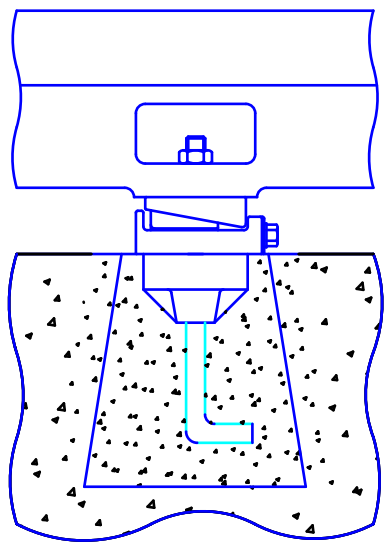
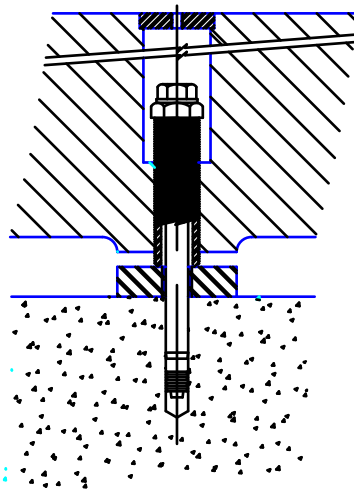
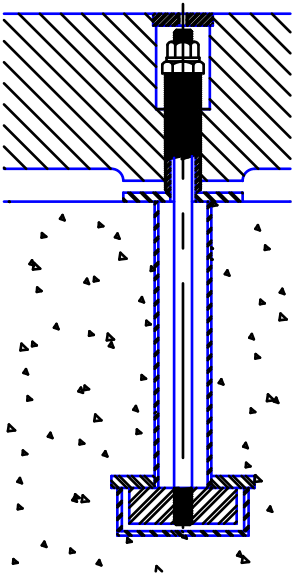
CLAMPING EDGE



BOX SIDES



### LEVEL-ANCHOR SYSTEMS

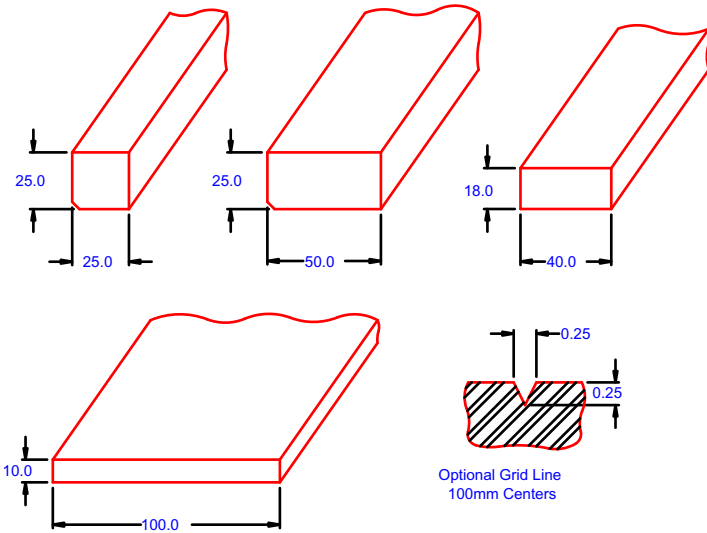
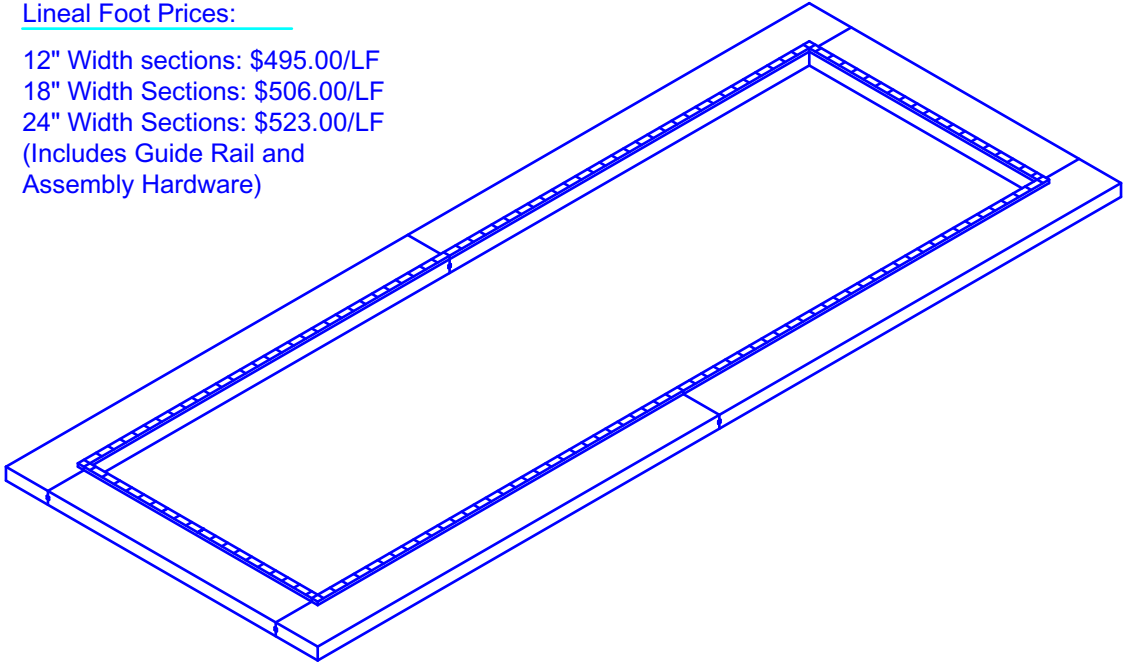


# NORTON EQUIPMENT CORPORATION

## NORTON STYLING PLATFORM ASSEMBLY

### Lineal Foot Prices:

12" Width sections: \$495.00/LF  
 18" Width Sections: \$506.00/LF  
 24" Width Sections: \$523.00/LF  
 (Includes Guide Rail and Assembly Hardware)



### Guide Rail Options

### Lineal Foot/Meter Prices

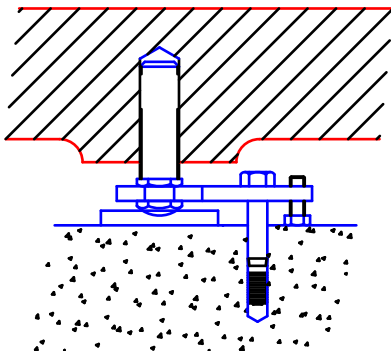
1"x1"/25mm x 25mm  
 \$71.00/LF~\$238.00/LM

1"x2"/25mm x 50mm  
 \$83.00/LF~\$275.00/LM

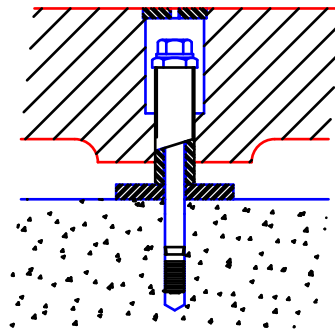
18mm x 40mm: \$275.00/LM  
 10mm x 100mm: \$303.00/LM

Optional Grid Line  
 100mm Centers

LEVEL-ANCHOR  
 NO HOLES IN THE TOP SURFACE

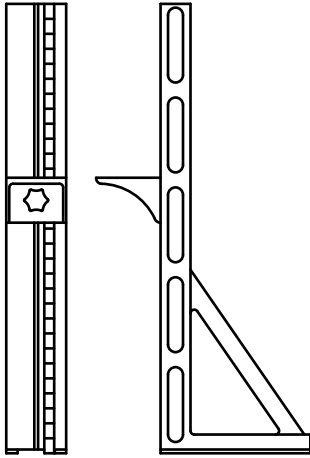


THRU THE TOP LEVEL-ANCHOR



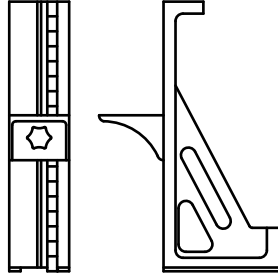
# NORTON EQUIPMENT CORPORATION

## MAGNESIUM INSPECTION TYPE PATTERN MAKERS ANGLE PLATE

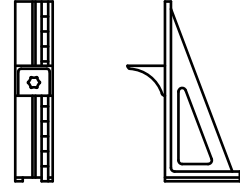


STYLE - A -

Replacement Sliding Angle Shelves  
See Page 16



STYLE - B -



STYLE - C -

ENGLISH

METRIC

SERIES STYLE SIZE PRICE

SERIES	STYLE	SIZE	PRICE
5090	C	4 x 8 x 12	1650.00
5095	C	5 x 10 x 18	2134.00
5100	C	5 x 10 x 20	2607.00
5110	C	5 x 10 x 24	2816.00
5115	B&C	6 x 12 x 24	2937.00
5120	C	5 x 12 x 30	3036.00
5129	C	6 x 12 x 36	3146.00
5130	B	8 x 15 x 36	3674.00
5140	A	10 x 20 x 48	5280.00
5150	A	10 x 20 x 52	5654.00
5160	A	10 x 20 x 66	6039.00
5170	A	10 x 20 x 72	6666.00
5180	A	10 x 20 x 84	7040.00

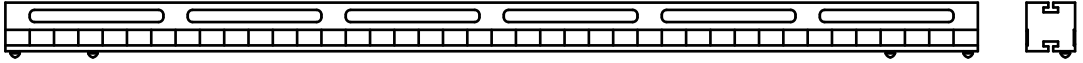
SERIES STYLE SIZE PRICE

SERIES	STYLE	SIZE	PRICE
5000	C	100x200x300	1650.00
5210	C	100x250x500	2607.00
5215	C	125x250x500	2607.00
5220	C	100x250x600	2816.00
5225	C	125x250x600	2816.00
5230	B&C	150x300x600	2937.00
5240	C	125x300x750	3036.00
5244	C	150x300x900	3146.00
5245	B	200x400x900	3674.00
5300	A	200x500x1200	5280.00
5310	A	200x500x1400	5335.00
5320	A	200x500x1500	5654.00
5330	A	200x500x1600	5797.00
5340	A	200x500x1700	6039.00
5350	A	200x500x1800	6512.00
5360	A	200x500x2000	7084.00

RECONDITIONING: 45% OF THE COST OF NEW

# NORTON EQUIPMENT CORPORATION

## MAGNESIUM INSPECTION TYPE PARALLEL BAR



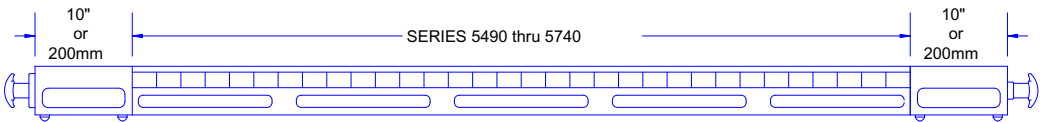
### ENGLISH

SERIES	SIZE	PRICE
5490	5 x 5 x 60	4120.00
5500	5 x 5 x 80	4686.00
5510	5 x 5 x 84	4692.00
5520	5 x 5 x 100	5038.00
5525	5 x 5 x 104	5093.00
5530	5 x 5 x 110	5346.00
5540	5 x 5 x 120	5445.00
5550	5 x 5 x 130	5863.00

### METRIC

SERIES	SIZE	PRICE
5699	100x100x1800	4444.00
5700	100x100x2000	4686.00
5710	100x100x2400	5456.00
5720	100x100x2500	5511.00
5730	100x100x2600	5544.00
5731	100x100x2700	5566.00
5732	100x100x2800	5632.00
5740	100x100x3000	5720.00

## 360° PARALLEL BAR ROTATING ENDS



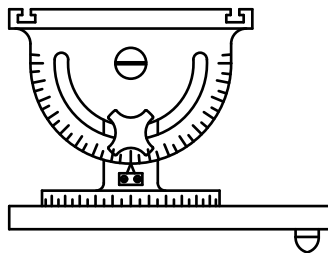
### ENGLISH

SERIES	SIZE	PRICE
5800	5 x 5 x 10	1788.00

### METRIC

SERIES	SIZE	PRICE
5850	100x100x200	1788.00

## MAGNESIUM UNIVERSAL RIGHT ANGLE UNIT



### ENGLISH

SERIES	SIZE	PRICE
5980	8 x 8 x 7	2673.00

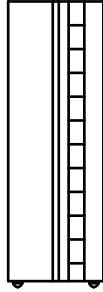
### METRIC

SERIES	SIZE	PRICE
5990	200x200x178	2673.00

RECONDITIONING: 45% OF THE COST OF NEW

# NORTON EQUIPMENT CORPORATION

## MAGNESIUM INSPECTION ANGLE EXTENSION



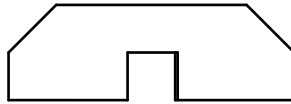
### ENGLISH

SERIES	SIZE	PRICE
5999	5 x 10 x 15	1518.00
5600	5 x 10 x 36	2487.00
5610	5 x 10 x 48	2794.00
5620	5 x 10 x 60	3058.00

### METRIC

SERIES	SIZE	PRICE
5650	100 x 200 x 500	2112.00
5660	100 x 200 x 1000	2838.00

## MAGNESIUM INSPECTION TYPE SLIDING BUTTERFLY



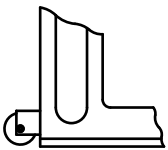
### ENGLISH

SERIES	SIZE	PRICE
5900	5 x 10 x 25	1540.00

### METRIC

SERIES	SIZE	PRICE
5950	100x200x600	1540.00

## INSPECTION ANGLE ACCESSORIES

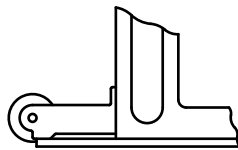


SERIES # 6070

2" DIA.

WHEEL ASSEMBLY

\$358.00



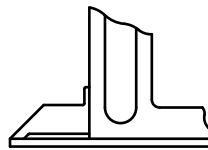
SERIES # 6071

RUNNER EXTENSION

-WITH-

3" DIA WHEEL ASSEMBLY

\$649.00



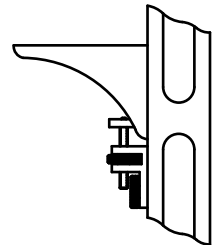
SERIES # 6073

RUNNER EXTENSION

-WITH-

SUPPORT ANGLE

\$495.00



SERIES # 5975

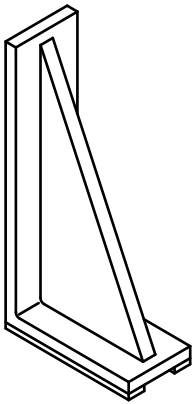
FINE ADJUSTMENT

\$517.00

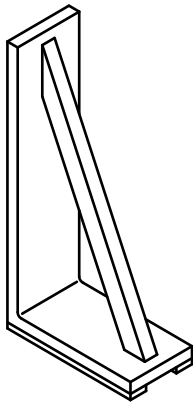
RECONDITIONING: 45% OF THE COST OF NEW

# NORTON EQUIPMENT CORPORATION

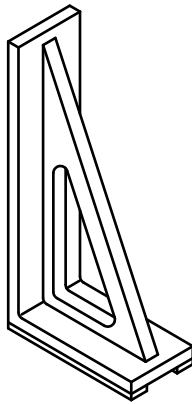
## MAGNESIUM SINGLE RIB ANGLE PLATE



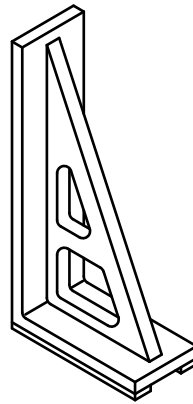
STYLE - A -



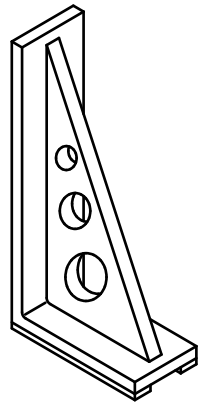
STYLE - B -



STYLE - C -



STYLE - D -



STYLE - E -

ENGLISH

METRIC

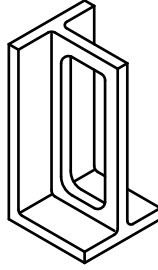
SERIES	STYLE	SIZE	PRICE
1097	A	4.5 x 5 x 8	391.00
1100	A	6 x 6 x 8	506.00
1110	A	4 x 7 x 12	605.00
1112	C	4 x 8 x 12	611.00
1115	C	6 x 8 x 12	655.00
1120	B	6 x 12 x 12	759.00
1130	A	6 x 12 x 15	908.00
1140	A	8 x 12 x 17	1018.00
1145	C	5 x 10 x 18	968.00
1148	C	3 x 18 x 18	825.00
1150	C	5 x 10 x 20	1018.00
1152	C	8 x 12 x 20	1067.00
1155	E	4 x 7 x 22	710.00
1160	C	5 x 10 x 24	1106.00
1162	C	6 x 12 x 24	1304.00
1165	C	12 x 12 x 24	1777.00
1170	D	5 x 12 x 30	1216.00
1175	C	8 x 12 x 30	1276.00
1177	C	14 x 20 x 30	1661.00
1180	E	7 x 15 x 26	1210.00
1185	D	6 x 12 x 36	1370.00
1190	C	10 x 14 x 36	1925.00
1200	C	10 x 20 x 36	2074.00
1205	D	14 x 20 x 36	2134.00
1215	A	8 x 9 x 48	2580.00
1220	D	12 x 18 x 48	2965.00
1230	C	10 x 24 x 48	3025.00
1235	D	12 x 24 x 48	3053.00
1240	B	14 x 24 x 48	3168.00
1250	D	8 x 24 x 55	3080.00
1255	D	12 x 20 x 63	4472.00
1260	D	12 x 30 x 72	5638.00

SERIES	STYLE	SIZE	PRICE
1497	A	100x125x200	391.00
1500	A	150x150x200	506.00
1510	A	100x180x300	605.00
1514	C	100x200x300	611.00
1515	C	150x200x300	655.00
1520	B	150x300x300	759.00
1530	A	150x300x400	908.00
1540	A	200x300x450	1018.00
1545	C	125x250x450	968.00
1548	C	75x450x450	825.00
1550	C	125x250x500	1018.00
1552	C	200x300x500	1067.00
1555	E	100x180x550	710.00
1560	C	125x250x600	1106.00
1562	C	150x300x600	1304.00
1565	C	300x300x600	1777.00
1570	D	125x300x750	1216.00
1575	C	200x300x750	1276.00
1577	C	350x500x750	1661.00
1580	E	150x350x650	1210.00
1585	D	150x300x900	1370.00
1590	C	250x350x900	1925.00
1600	C	250x500x900	2074.00
1605	D	350x500x900	2134.00
1615	A	200x225x1200	2580.00
1620	D	300x450x1200	2965.00
1630	C	250x600x1200	302500
1635	D	300x600x1200	3053.00
1640	B	350x600x1200	3168.00
1650	D	200x600x1400	3080.00
1655	D	300x500x1600	4472.00
1660	D	300x750x1800	5638.00

RECONDITIONING: 45% OF THE COST OF NEW

# NORTON EQUIPMENT CORPORATION

## MAGNESIUM UNIVERSAL RIGHT ANGLE PLATE



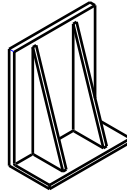
### ENGLISH

SERIES	SIZE	PRICE
3100	6 x 8 x 10	743.00
3105	6 x 8 x 12	825.00
3110	8 x 8 x 12	836.00
3120	8 x 9 x 16	1535.00
3125	16 x 16 x 16	2074.00
3130	12 x 12 x 18	1991.00
3140	12 x 12 x 24	2046.00
3150	12 x 12 x 36	2492.00

### METRIC

SERIES	SIZE	PRICE
3500	150x200x250	743.00
3505	150x200x300	825.00
3510	200x200x300	836.00
3520	200x225x400	1535.00
3525	400x400x400	2074.00
3526	300x300x450	1991.00
3430	300x300x600	2046.00
3550	300x300x900	2492.00

## MAGNESIUM DOUBLE RIB ANGLE PLATE



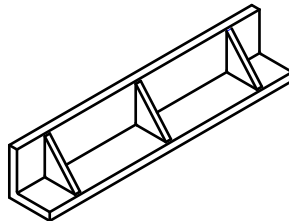
### ENGLISH

SERIES	SIZE	PRICE
1800	9 x 13 x 18	919.00
1810	12 x 14 x 16	979.00
1820	18 x 24 x 12	1524.00
1840	12 x 30 x 24	2728.00

### METRIC

SERIES	SIZE	PRICE
1850	225x325x450	919.00
1860	300x350x400	979.00
1870	450x600x300	1524.00
1890	300x750x600	2728.00

## MAGNESIUM TRIPLE RIB ANGLE PLATE



### ENGLISH

SERIES	SIZE	PRICE
1790	8 x 9 x 48	2965.00

### METRIC

SERIES	SIZE	PRICE
1796	200x225x1200	2965.00

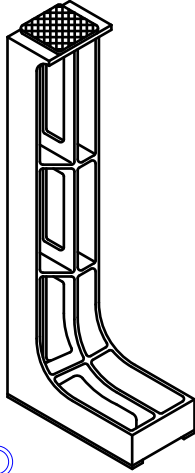
RECONDITIONING: 45% OF THE COST OF NEW.



# NORTON EQUIPMENT CORPORATION

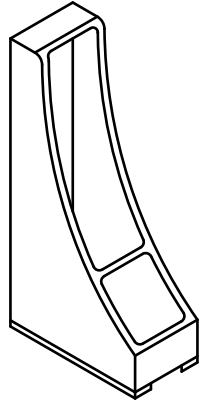
## MAGNESIUM HEAVY DUTY PATTERN MAKERS ANGLE PLATE

STYLE - A -



ENGLISH

STYLE - B -

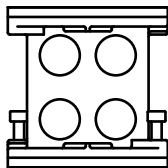


METRIC

SERIES	STYLE	SIZE	PRICE
2100	B	6 x 12 x 24	1870.00
2109	A	8 x 12 x 24	2233.00
2110	A	8 x 12 x 25	2250.00
2120	A	10 x 24 x 24	2844.00
2130	A	8 x 18 x 30	3053.00
2140	A	10 x 20 x 30	3262.00
2150	A	10 x 24 x 48	4070.00
2160	A	10 x 24 x 60	5071.00
2170	A	10 x 24 x 72	5687.00

SERIES	STYLE	SIZE	PRICE
2500	B	100x300x500	1485.00
2510	B	250x350x500	1870.00
2520	B	150x300x600	1870.00
2530	A	200x300x600	2233.00
2540	B	150x450x600	1898.00
2550	A	200x500x800	3438.00
2560	A	200x500x1000	4092.00
2570	A	200x500x1200	4708.00
2580	A	300x600x1500	4862.00
2590	A	300x600x1600	5071.00
2660	A	300x600x1800	5445.00
2661	A	300x600x2000	6105.00

## MAGNESIUM BODY HEIGHT BLOCK



ENGLISH

METRIC

SERIES	SIZE	PRICE
6100	8 x 8 x 2-1/2	605.00
6110	8 x 8 x 5	666.00
6120	8 x 8 x 10	715.00
6130	8 x 8 x 15	770.00
6140	8 x 8 x 20	919.00

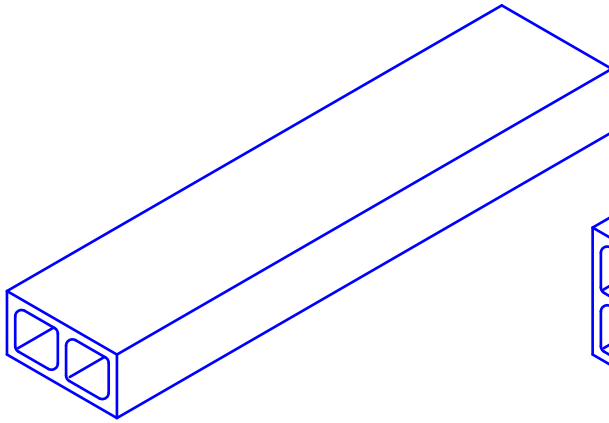
SERIES	SIZE	PRICE
6200	200x200x100	572.00
6210	200x200x200	589.00
6220	200x200x300	627.00
6230	200x200x400	655.00
6240	200x200x500	831.00
6250	200x200x600	891.00
6270	200x200x800	

1040.00

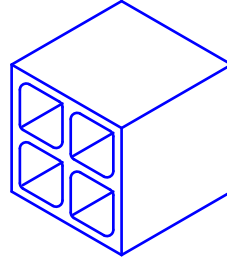
RECONDITIONING: 45% OF THE COST OF NEW

# NORTON EQUIPMENT CORPORATION

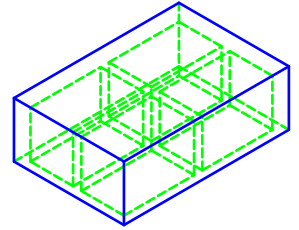
## MAGNESIUM BOX PARALLELS (CUBES)



STYLE - A -



STYLE - B -



STYLE - C -

ENGLISH

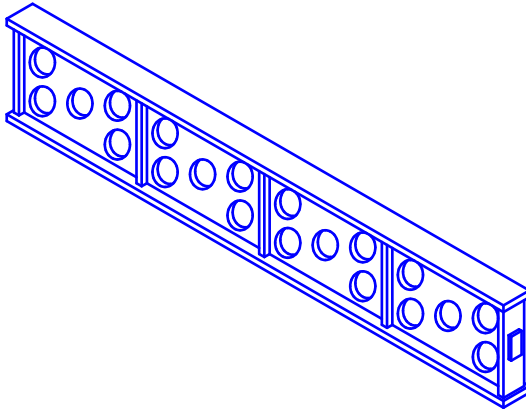
METRIC

SERIES	STYLE	SIZE	PRICE	SERIES	STYLE	SIZE	PRICE
6600	B	6 x 6 x 6	539.00	6690	A	25x50x100	209.00
6603	A	6 x 8 x 14	743.00	6691	A	50x150x200	451.00
6605	B	8 x 8 x 8	710.00	6700	C	50x200x200	479.00
6610	B	10 x 10 x 10	770.00	6710	C	50x100x250	418.00
6620	A	5 x 6 x 10	682.00	6715	B	100x120x200	638.00
6625	A	2.5 x 6 x 18	567.00	6720	C	100x100x250	655.00
6630	A	6 x 10 x 20	919.00	6730	C	100x200x200	681.00
6635	A	7 x 8 x 26	946.00	6735	B	200x200x200	710.00
6640	A	6 x 10 x 30	1040.00	6737	B	150x200x250	710.00
6650	A	6 x 8 x 48	2844.00	6740	C	100x200x300	682.00
				6750	A	200x200x400	743.00
				6760	B	250x250x500	1777.00
				6800	A	100x200x600	1894.00
				6810	A	100x200x700	2057.00
				6820	A	100x200x900	2019.00
				6830	B	200x200x700	2102.00
				6840	B	200x200x1000	2492.00

RECONDITIONING: 45% OF THE COST OF NEW

# NORTON EQUIPMENT CORPORATION

## MAGNESIUM PARALLEL STRAIGHT EDGE



### ENGLISH

SERIES	SIZE	PRICE
7100	18 x 2 x 5	831.00
7110	24 x 2.5 x 6	919.00
7120	36 x 2.5 x 6	1161.00
7130	48 x 2.8 x 8	1304.00
7140	60 x 3 x 8	1425.00
7150	72 x 3 x 8	1810.00
7160	96 x 3 x 8	3674.00
7165	108 x 4 x 10	4026.00
7170	120 x 4 x 10	4510.00
7180	144 x 4 x 10	5687.00
7190	168 x 4 x 10	7106.00
7200	216 x 5 x 16	8052.00

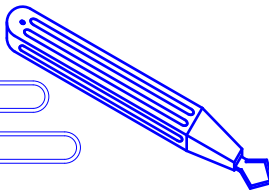
### METRIC

SERIES	SIZE	PRICE
7500	450x50x125	831.00
7510	600x60x150	919.00
7520	900x60x150	1161.00
7530	1200x70x200	1304.00
7540	1500x75x200	1425.00
7550	1800x75x200	1810.00
7560	2400x75x200	3674.00
7565	2750x100x250	4026.00
7570	3000x100x250	4510.00
7580	3600x100x250	5687.00
7590	4200x100x250	7106.00
7600	5500x125x400	8052.00

## MAGNESIUM MOUSE SCRIBER

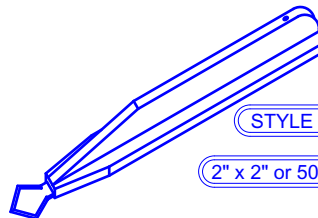
### STYLE A - RECTANGLE

1" x 2" or 25mm x 50mm



### STYLE B - T-SHAPED

2" x 2" or 50mm x 50mm



### ENGLISH

SERIES	SIZE	PRICE
8100	18	506.00
8110	24	517.00
8120	30	539.00
8130	36	561.00
8140	40	583.00
8150	48	605.00
8160	60	616.00
8170	72	649.00

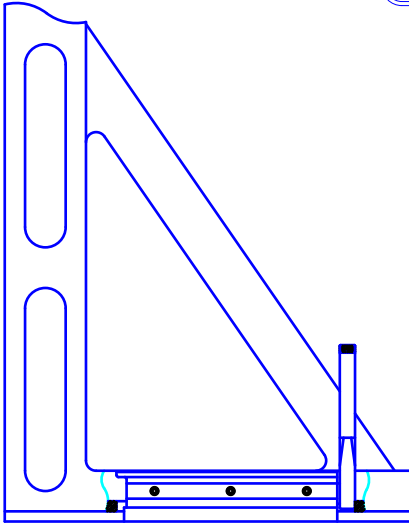
### METRIC

SERIES	SIZE	PRICE
8200	500	506.00
8210	600	517.00
8220	800	539.00
8230	1000	561.00
8240	1200	583.00
8250	1400	605.00
8260	1500	616.00
8270	1800	649.00

RECONDITIONING: 45% OF THE COST OF NEW

# NORTON EQUIPMENT CORPORATION

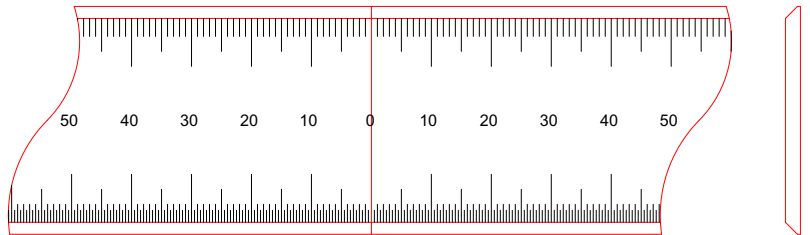
## MAGNETS INSTALLED IN BASE OF ANGLES



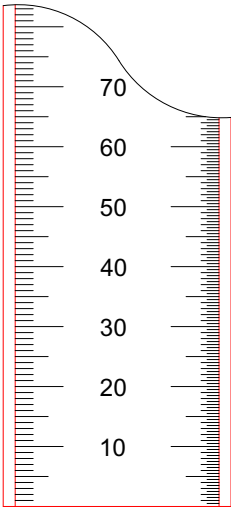
760 Brown & Sharpe	\$1,140.00/Ea
SP48-37 Magnetool 4"x8"	\$1320.00/Ea
SP510-37 Magnetool 5"x10"	\$1440.00/Ea

## Satin Chrome Finished Scales

### ~Parallel Scale~



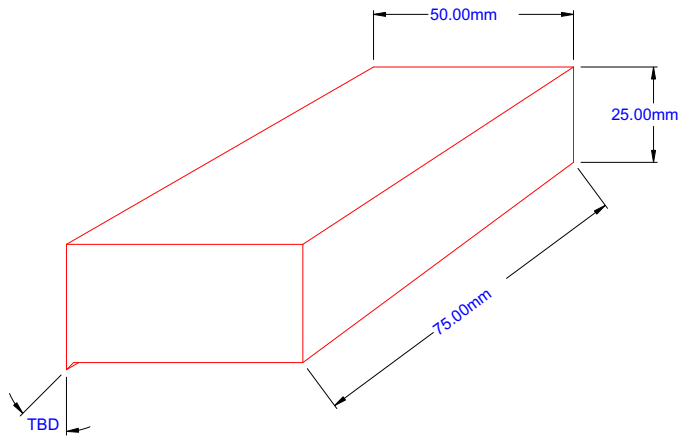
### ~Angle Scale~



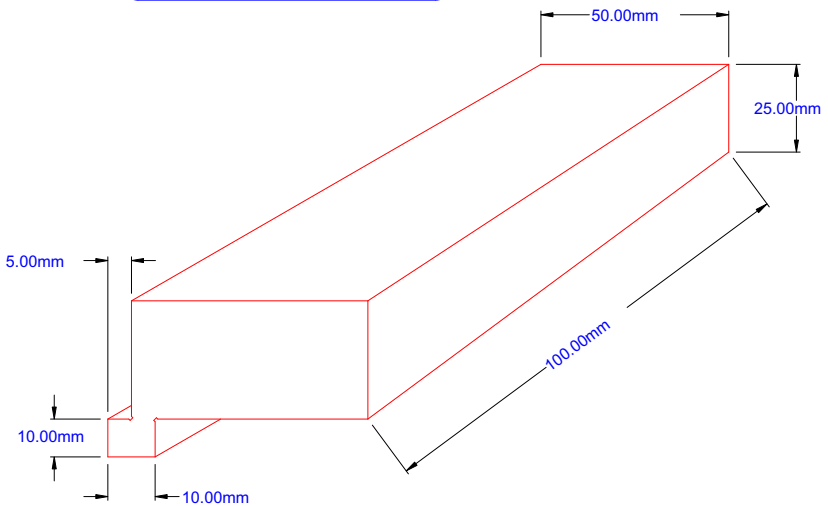
Inch Scales: \$8.25/Inch  
Metric Scales: \$3.30/Centimeter

# NORTON EQUIPMENT CORPORATION

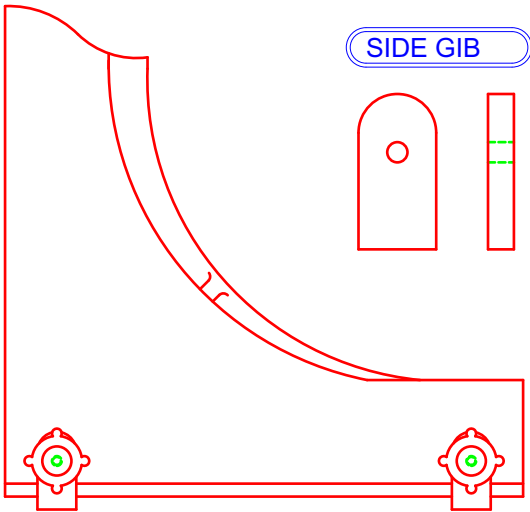
## LINE BLOCK



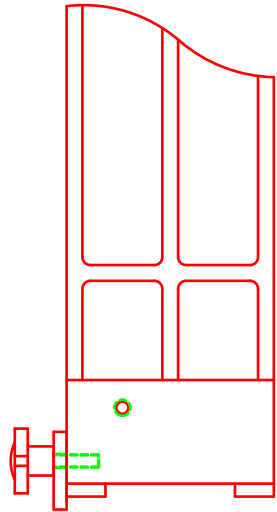
## SLOT CENTERING BLOCK



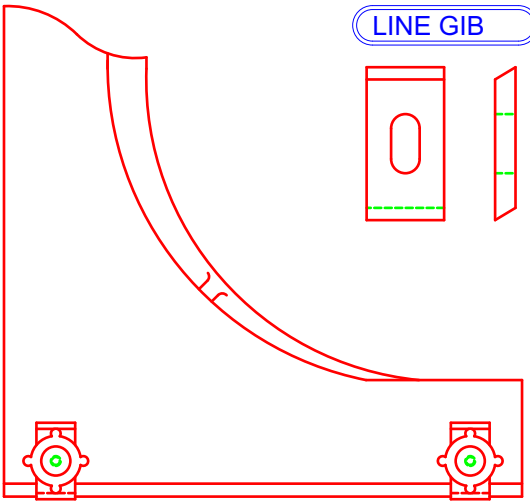
# NORTON EQUIPMENT CORPORATION



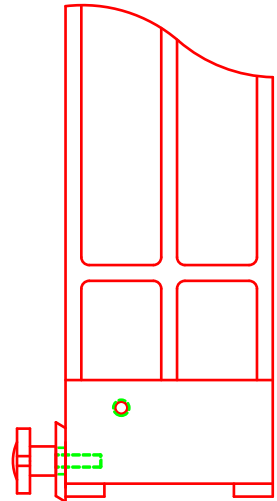
SIDE GIB



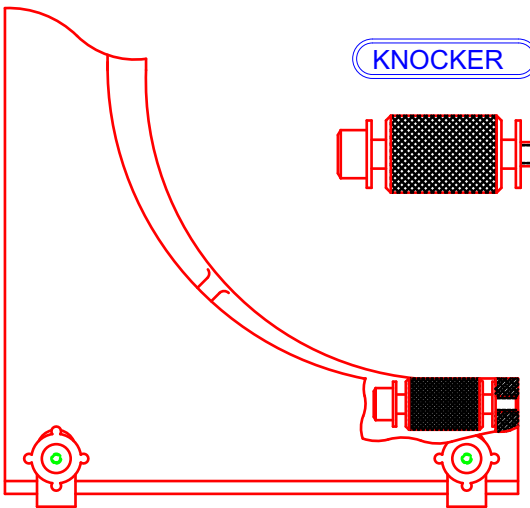
\$192.00/Set  
Set = 2 Gibs  
2 Knobs w/Studs



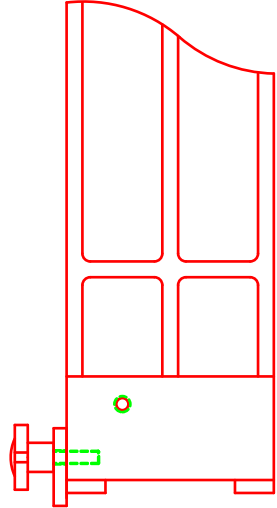
LINE GIB



\$570.00/Set  
Set = 2 Gibs  
2 Knobs w/Studs



KNOCKER



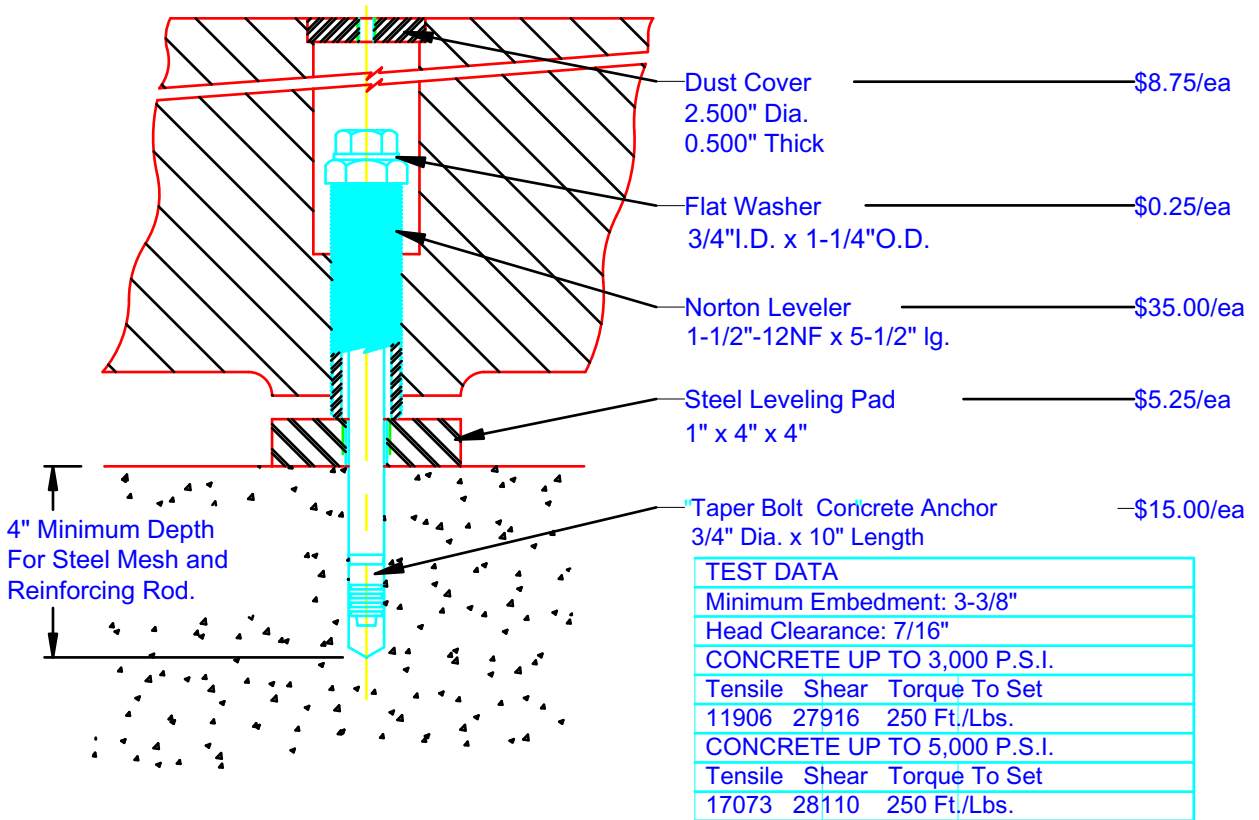
\$180.00/Set  
Set = 1 Shoulder Bolt  
1 Serrated Steel Knocker  
2 1/8" Thick Leathers

# NORTON EQUIPMENT CORPORATION

## LEVEL-ANCHOR SYSTEM

Set No. SK248190

\$64.25/Set



## ADDITIONAL SIZES

### STYLING PLATFORM LEVELERS

1"-12 x 3" 28.00/ea

1"12 x 3" Clamp Style \$60.00/Set

### LEVELING PAD

3/8"x3"x3"w/9/16 Hole \$7.50/ea

3/8"x3"x3"w/Leveler Radius \$7.50/ea

### DUST COVERS

1-1/4" Dia x 1/2" Thick \$5.25/ea

1-5/8" Dia x 1/4" Thick \$5.00/ea

### CONCRETE ANCHORS

1/2" Dia x 6" Length \$8.50/ea

3/4" Dia x 12" Length \$18.00/ea